

General

Productgroup LF PowerTwo
 Mounting type Pressfit Techn
 Material Brass lead-free (max. 0.1% Pb)
 Surface tin
 Customs tariff number
 Country of origin Federal Republic of Germany
 Weight per piece ~ 0.003000 kg

Technical data

Terminal / Type Buchse Durchgang / Diameter
 Thread/Diameter x Length 5.200 mm x 8.40 mm
 Torque 0.00 Nm

Pressure plate length x width 13.000 mm x 13.00 mm
 Pressure plate height 2.00 mm
 Height total 8.40 mm
 Pin length 6.40 mm
 Pin alignment knurl
 Push in area for diameter 7.30 mm
 Push in length 3.50 mm up to 6.40 mm

Processing

Notice

Usage and storage

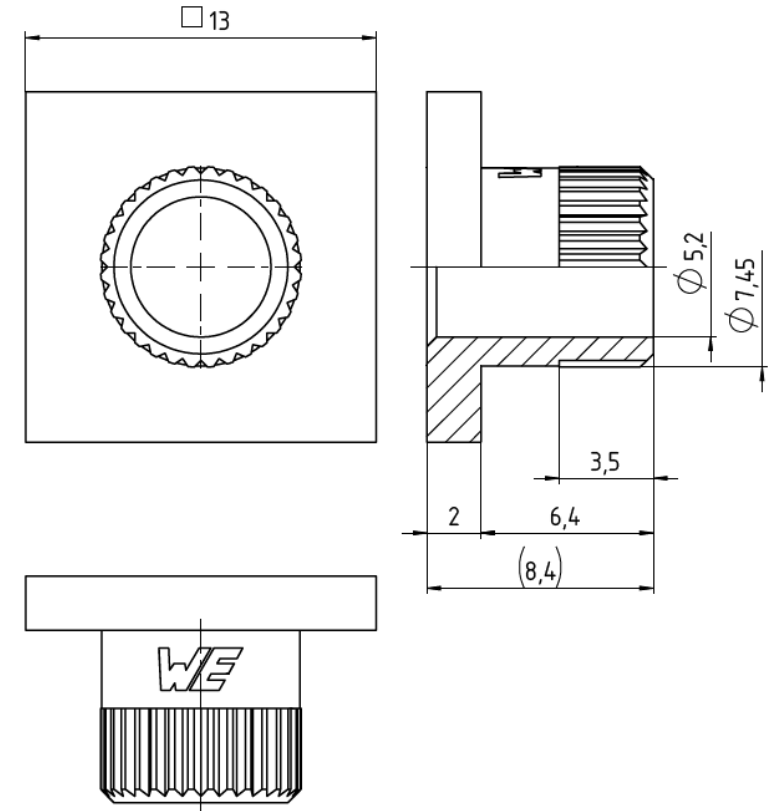
Temperature -40°C up to +150°C
 Storage dry environment protected from weather conditions
 Storage conditions at +5°C up to +40°C, 75% RH, non-condensing

Packaging

packaging quantity 0.000 pcs

Accessories

Press in tool

Standard drill pattern**Drill hole specification for PCB****Dimensions**

Würth Elektronik ICS GmbH & Co. KG
 Würthstraße 1 74676 Niedernhall, Germany
 P +49 7940 9810-4444 lf-powerelement@we-online.de
 www.lf-powerelement.de

Observe protective note ISO 16016. Passing on or duplication without previous written agreement forbidden. Violations oblige to compensation. All rights reserved in the event of a patent or utility model protection. Subject to change without notice! Is NOT subject to change service!

General tolerances

DIN ISO 2768-mH

Projection mode

Revision	Date	All measures in
A	08.06.21	mm

Part no.

LF990452

Description

LF PowerTwo Push in Element Bush

