

General

| | |
|-----------------------|--------------------------------|
| Productgroup | LF PowerOne SMD |
| Mounting type | SMT |
| Material | Brass lead-free (max. 0.1% Pb) |
| Surface | tin |
| Customs tariff number | |
| Country of origin | Federal Republic of Germany |
| Weight per pieces ~ | 0.005000 kg |

Technical data

| | |
|--------------------------|--------------------|
| Terminal / Type | Bolt / Metric |
| Thread/Diameter x Length | 4.000 mm x 4.60 mm |
| Torque | 1.20 Nm |

| | |
|-----------------|---------------|
| Socket diameter | 9.000 mm |
| Socket height | 3.50 mm |
| Height total | 10.50 mm |
| Height over pcb | 9.50 mm |
| No. of Pins | 1 |
| Pin length | 1.00 mm |
| Pin alignment | Centering pin |

Processing

| | |
|---------------------------------------|--------------|
| PCB thickness | min. 1.00 mm |
| Recommendation Solder cream thickness | 150 μ m |
| Notice | |

Current carrying capacity

| | |
|--------------------------|----------------------|
| Part (20°C) ~ / (85°C) ~ | 125.000 A / 75.000 A |
|--------------------------|----------------------|

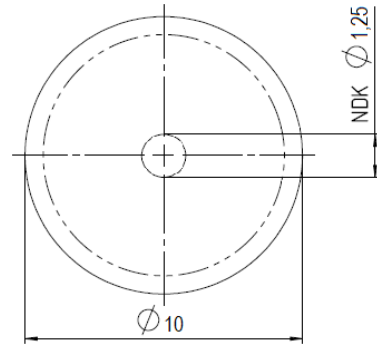
Usage and storage

| | |
|--------------------|---|
| Temperature | -40°C up to +150°C |
| Storage | dry environment protected from weather conditions |
| Storage conditions | at +5°C up to +40°C, 75% RH, non-condensing |

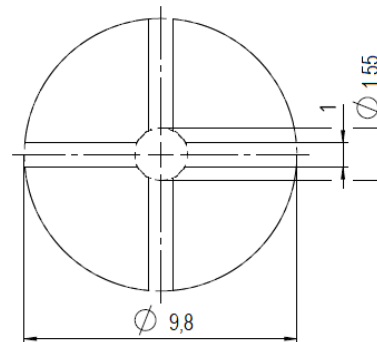
Packaging

| | |
|--------------------|-----------|
| packaging quantity | 0.000 pcs |
|--------------------|-----------|

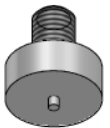
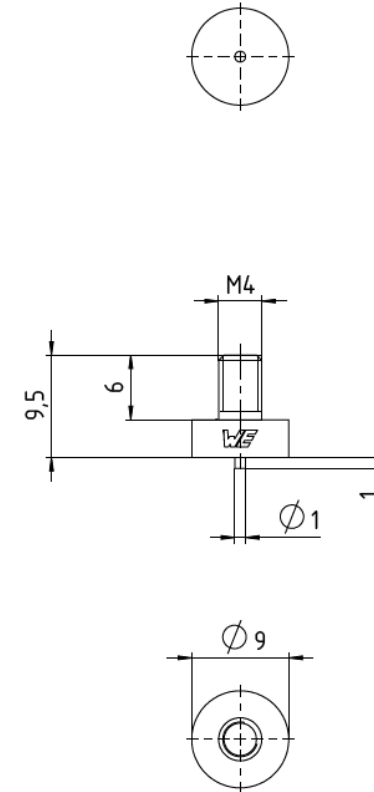
Solder pad recommendation



Stencil design recommendation



Dimensions



Würth Elektronik ICS GmbH & Co. KG
Würthstraße1 74676 Niedernhall, Germany
P +49 7940 9810-4444 lf-powerelement@we-online.de
www.lf-powerelement.de

Observe protective note ISO 16016. Passing on or duplication without previous written agreement forbidden. Violations oblige to compensation. All rights reserved in the event of a patent or utility model protection. Subject to change without notice! Is NOT subject to change service!

General tolerances

DIN ISO 2768-mH

Projection mode



| Revision | Date | All measures in |
|----------|----------|-----------------|
| B | 08.06.21 | mm |

Part no.

LF991004

Description

LF PowerOne SMD Bolt vertical with centering pin

