

**General**

Productgroup LF PowerOne SMD  
 Mounting type SMT  
 Material Brass lead-free (max. 0.1% Pb)  
 Surface tin  
 Customs tariff number  
 Country of origin Federal Republic of Germany  
 Weight per pieces ~ 0.010160 kg

**Technical data**

Terminal / Type blind hole / Metric  
 Thread/Diameter x Length 6.000 mm x 8.00 mm  
 Torque 3.90 Nm

Socket diameter 13.000 mm  
 Socket height 10.50 mm  
 Height total 10.50 mm

**Processing**

PCB thickness min. 1.00 mm  
 Recommendation Solder cream thickness 150 µm  
 Notice

**Current carrying capacity**

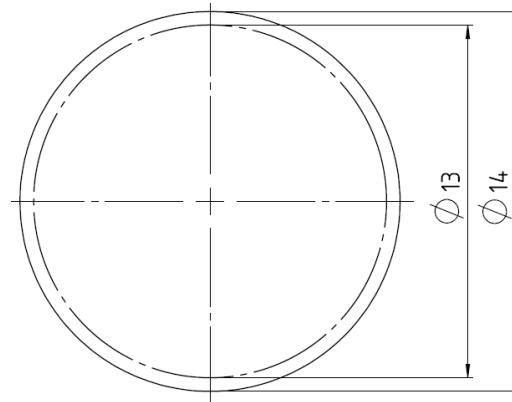
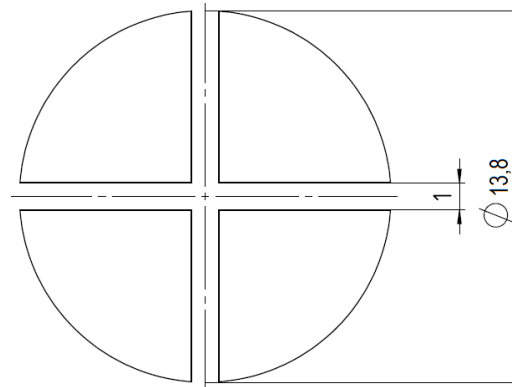
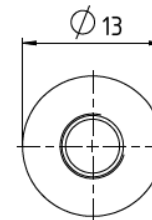
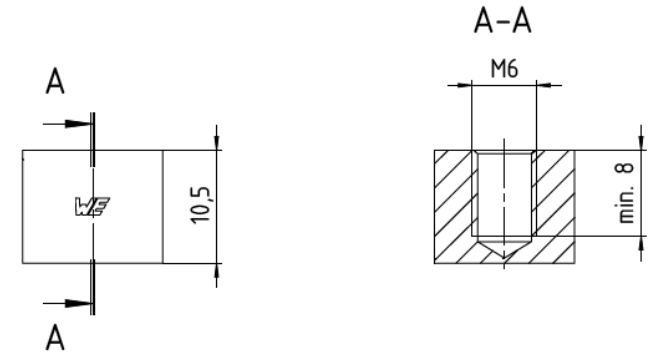
Part (20°C) ~ / (85°C) ~ 290.000 A / 174.000 A

**Usage and storage**

Temperature -40°C up to +150°C  
 Storage dry environment protected from weather conditions  
 Storage conditions at +5°C up to +40°C, 75% RH, non-condensing

**Packaging**

packaging quantity 0.000 pcs

**Solder pad recommendation****Stencil design recommendation****Dimensions**

Würth Elektronik ICS GmbH & Co. KG  
 Würthstraße 1 74676 Niedernhall, Germany  
 P +49 7940 9810-4444 lf-powerelement@we-online.de  
 www.lf-powerelement.de

Observe protective note ISO 16016. Passing on or duplication without previous written agreement forbidden. Violations oblige to compensation. All rights reserved in the event of a patent or utility model protection. Subject to change without notice! Is NOT subject to change service!

**General tolerances**

DIN ISO 2768-mH

**Projection mode**

Revision	Date	All measures in
A	20.07.21	mm

Part no.

**LF992006**

Description

**LF PowerOne SMD Bush vertical blind hole**

