

## General

Productgroup	LF PowerOne
Mounting type	Solid Pressfit Techn
Material	Brass lead-free (max. 0.1% Pb)
Surface	tin
Customs tariff number	
Country of origin	Federal Republic of Germany
Weight per pieces ~	0.005000 kg

## Technical data

Terminal / Type	Buchse Durchgang / Metric
Thread/Diameter x Length	4.000 mm x 5.00 mm
Torque	1.20 Nm

Socket length x Socket width	9.000 mm x 9.00 mm
Socket height	3.00 mm
Height total	17.50 mm
Height over pcb	14.00 mm
No. of Pins	16
Pin length	3.50 mm
Grid dimension X / Y	2.54 mm / 2.54 mm
Pin alignment	Full plain

## Processing

Press in force	960 N up to 4000 N
Retention force	60-80 % of press-in force
Press-in speed	100 mm/min. up to 250 mm/min.
PCB thickness	1.60 mm up to 3.20 mm
Notice	

## Current carrying capacity

Part (20°C) ~ / (85°C) ~	160.000 A / 96.000 A
--------------------------	----------------------

## Usage and storage

Temperature	-40°C up to +150°C
Storage	dry environment protected from weather conditions
Storage conditions	at +5°C up to +40°C, 75% RH, non-condensing

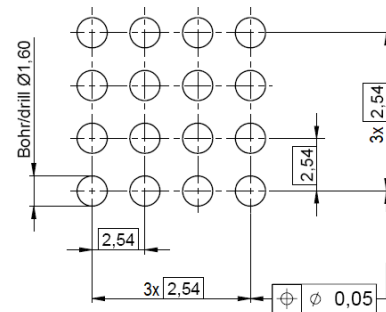
## Packaging

packaging quantity	0.000 pcs
--------------------	-----------

## Accessories

Press in tool

## Standard drill pattern



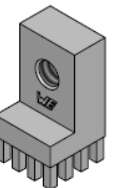
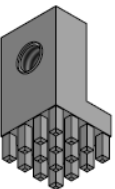
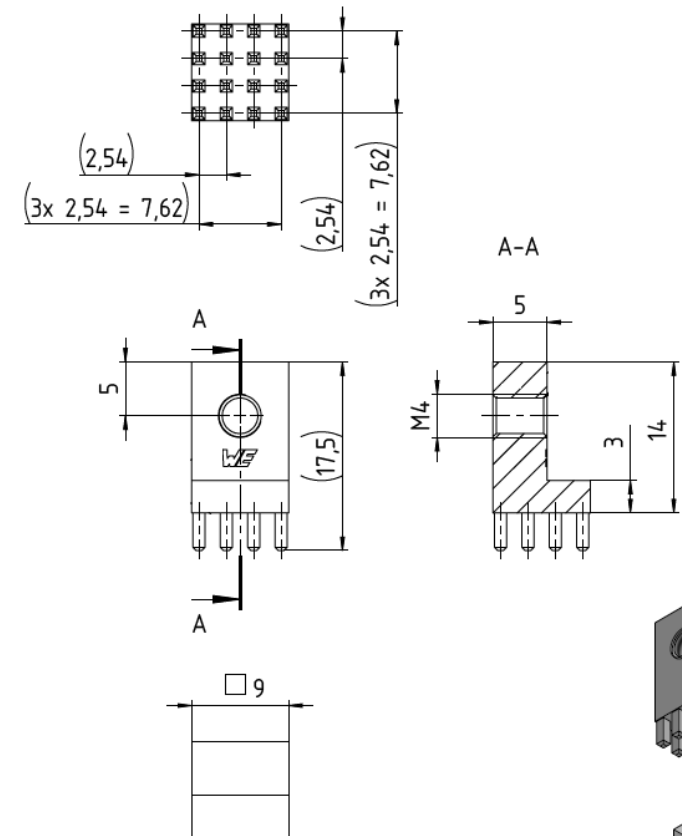
## Drill hole specification for PCB

Drill Ø		drill tool	1,60 mm
		drill hole	1,60 mm - 0,025 mm
Cu		Cu - in Hole	Average 30 µm - 60 µm min. 25 µm, max. 80 µm *
End Ø		HAL	(1,450 mm +/- 0,05 mm)
		chem. surfaces	(1,475 mm +/- 0,05 mm)

**Note:** For Press-fit Technology drill diameter and copper thickness are fix. End Ø for reference only.

\* single measurement points in microsection

## Dimensions



Würth Elektronik ICS GmbH & Co. KG  
 Würthstraße 1 74676 Niedernhall, Germany  
 P +49 7940 9810-4444 lf-powerelement@we-online.de  
 www.lf-powerelement.de

Observe protective note ISO 16016. Passing on or duplication without previous written agreement forbidden. Violations oblige to compensation. All rights reserved in the event of a patent or utility model protection. Subject to change without notice! Is NOT subject to change service!

Generaltolerances

DIN ISO 2768-mH

Projection mode



Revision	Date	All measures in
A	08.06.21	mm

Part no.

**LF993104**

Description

**LF PowerOne Bracket**

