

General

Productgroup PowerOne
Mounting type Massive Pressfit Techn
Material Brass
Surface tin
Customs tariff number 85369095
Country of origin Federal Republic of Germany
Weight per pieces ~ 0.015790 kg

Technical data

Terminal / Type blind hole / Metric
Thread/Diameter x Length 8.000 mm x 8.00 mm
Torque 9.00 Nm

Socket length x Socket width 13.000 mm x 13.00 mm
Socket height 13.50 mm
Socket rounded yes
Height total 17.00 mm
Height over pcb 13.50 mm
No. of Pins 25
Pin length 3.50 mm
Grid dimension X / Y 2.54 mm / 2.54 mm
Pin alignment Full plain

Processing

Press in force 1000 N up to 6250 N
Retention force 60-80 % of press-in force
Press-in speed 100 mm/min. up to 250 mm/min.
PCB thickness 1.60 mm up to 3.20 mm
Notice

Current carrying capacity

Part (20°C) ~ / (85°C) ~ 250.000 A / 150.000 A

Usage and storage

Temperature -40°C up to +150°C
Storage dry environment protected from weather conditions
Storage conditions at +5°C up to +40°C, 75% RH, non-condensing

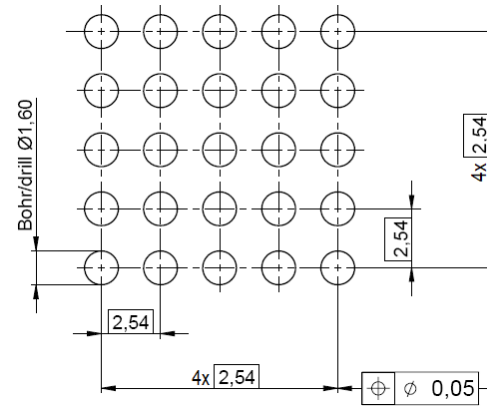
Accessories

Press in tool

Co-applicable documents

Powerelement Guidelines [Link to Powerelement Guidelines](#)

Standard drill pattern



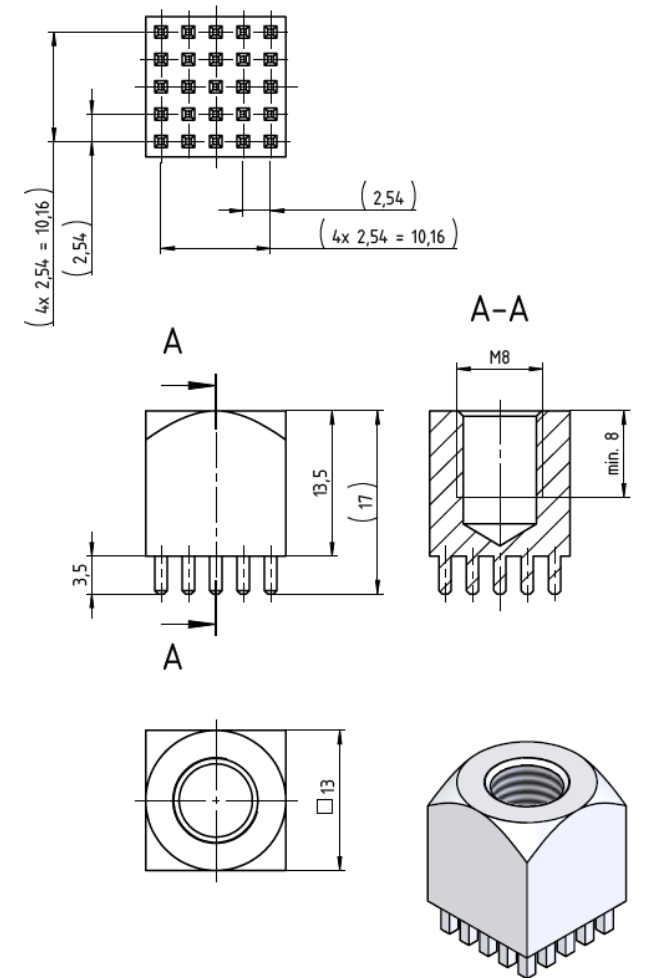
Drill hole specification for PCB

Drill Ø		drill tool 1,60 mm drill hole 1,60 mm - 0,025 mm
Cu		Average 30 µm – 60 µm min. 25 µm, max. 80 µm *
End Ø		HAL (1,450 mm +/- 0,05 mm) chem. surfaces (1,475 mm +/- 0,05 mm)

Note: For Press-fit Technology drill diameter and copper thickness are fix. End Ø for reference only.

* single measurement points in microsection

Dimensions



Würth Elektronik ICS GmbH & Co. KG
Würthstraße 1 74676 Niedernhall, Germany
P +49 7940 9810-4444 powerelement@we-online.de
www.powerelement.com

Observe protective note ISO 16016. Passing on or duplication without previous written agreement forbidden. Violations oblige to compensation. All rights reserved in the event of a patent or utility model protection. Subject to change without notice! Is NOT subject to change service!

General tolerances
DIN ISO 2768-mH

Projection mode



Revision	Date	All measures in
D	13.06.25	mm

Part no.

K91099

Description

PowerOne Bush vertical blind hole



REACH
COMPLIANT



RoHS
COMPLIANT