

### General

Productgroup PowerOne  
Mounting type Massive Pressfit Techn  
Material Brass  
Surface tin  
Customs tariff number 85369095  
Country of origin Federal Republic of Germany  
Weight per pieces ~ 0.030290 kg

### Technical data

Terminal / Type blind hole / Metric  
Thread/Diameter x Length 10.000 mm x 11.00 mm  
Torque 17.00 Nm

Socket length x Socket width 16.000 mm x 16.00 mm  
Socket height 17.50 mm  
Socket rounded yes  
Height total 21.00 mm  
Height over pcb 17.50 mm  
No. of Pins 36  
Pin length 3.50 mm  
Grid dimension X / Y 2.54 mm / 2.54 mm  
Pin alignment Full plain

### Processing

Press in force 2160 N up to 9000 N  
Retention force 60-80 % of press-in force  
Press-in speed 100 mm/min. up to 250 mm/min.  
PCB thickness 1.60 mm up to 3.20 mm  
Notice

### Current carrying capacity

Part (20°C) ~ / (85°C) ~ 360.000 A / 216.000 A

### Usage and storage

Temperature -40°C up to +150°C  
Storage dry environment protected from weather conditions  
Storage conditions at +5°C up to +40°C, 75% RH, non-condensing

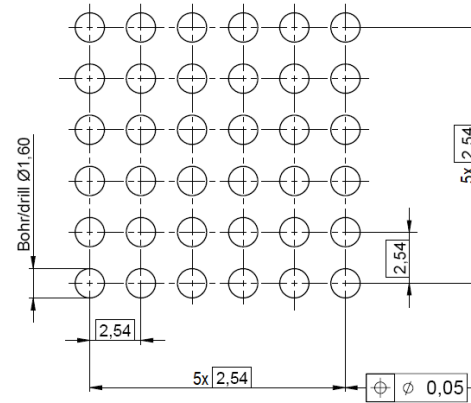
### Accessories

Press in tool

### Co-applicable documents

Powerelement Guidelines [Link to Powerelement Guidelines](#)

### Standard drill pattern



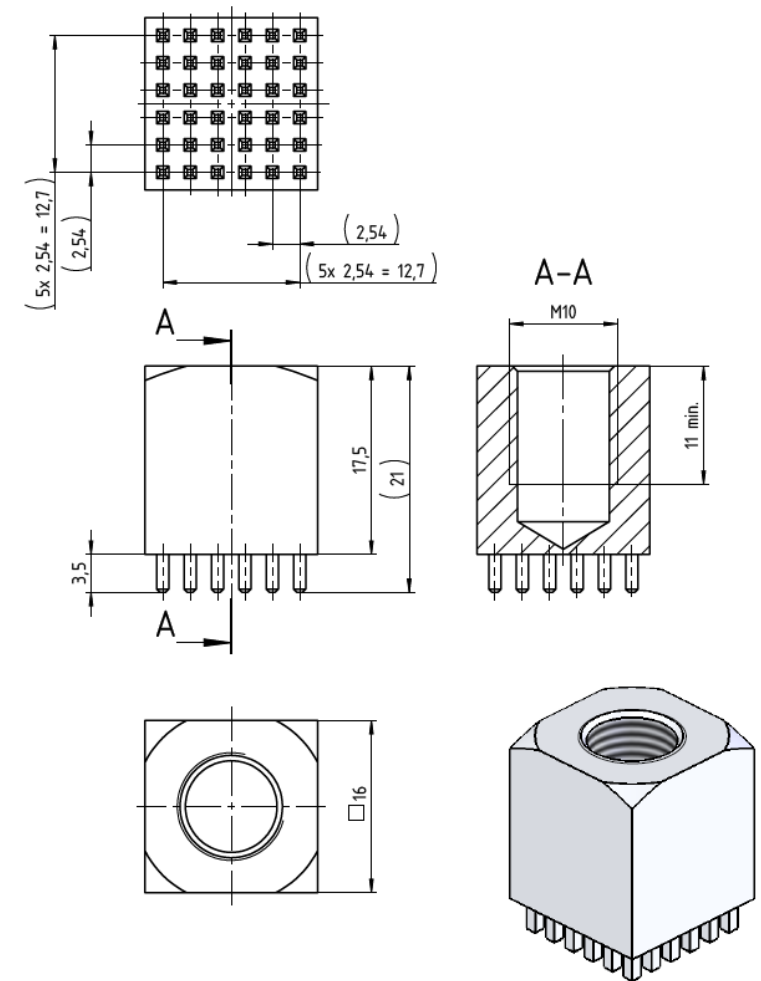
### Drill hole specification for PCB

Drill Ø		drill tool	1,60 mm
		drill hole	1,60 mm - 0,025 mm
Cu		Cu - in Hole	Average 30 µm - 60 µm min. 25 µm, max. 80 µm *
End Ø		HAL	(1,450 mm +/- 0,05 mm)
		chem. surfaces	(1,475 mm +/- 0,05 mm)

Note: For Press-fit Technology drill diameter and copper thickness are fix. End Ø for reference only.

\* single measurement points in microsection

### Dimensions



Würth Elektronik ICS GmbH & Co. KG  
Würthstraße 1 74676 Niedernhall, Germany  
P +49 7940 9810-4444 powerelement@we-online.de  
www.powerelement.com

Observe protective note ISO 16016. Passing on or duplication without previous written agreement forbidden. Violations oblige to compensation. All rights reserved in the event of a patent or utility model protection. Subject to change without notice! Is NOT subject to change service!

Generaltolerances  
DIN ISO 2768-mH

Projection mode



Revision Date All measures in  
C 17.09.25 mm

Part no.

**K96986**

Description

**PowerOne Bush vertical blind hole**



REACH  
COMPLIANT



RoHS  
COMPLIANT